

IMPORTANT!

Read and understand the owner's manual before attempting to install or use your new DiamondBack product.



Owner's Manual Ranger Roof

Roof Installation

Parts:

- (1) Roof
- (4) Mounting Brackets – 6 for Ranger Crew
- (8) 1/4"x1" SS Carriage Bolts – 12 for Ranger Crew
- (8) rubber washers – 12 for Ranger Crew
- (8) Zinc Washers – 12 for Ranger Crew
- (8) 1/4" Nylock Nuts – 12 for Ranger Crew
- Adhesive Foam Tape

Tools Needed:

- Ratchet with 7/16" socket
- Drill with 1/4" Drill Bit
- Pliers or Channel locks
- Marker

1. Place Roof Panel on top of UTV Roll cage and center front to back, and left to right. For RANGER CREW roofs, place rear portion of roof on first and front portion second. Front portion is the half with the front rain gutter. Front portion must sit on top of rear portion. Align front and back portions to be even in the middle.
2. Using Figures 1A and 1B Below (or 1C for Ranger Crew) – place UTV Roof Mounting Brackets on Roof and using a marker, mark the position of the holes needed for each Roof Mounting bracket. **Figure 1A is for Polaris Ranger 2003-2008. Figure 1B is for Polaris Ranger 2009-C. 1C is for Ranger Crew.**

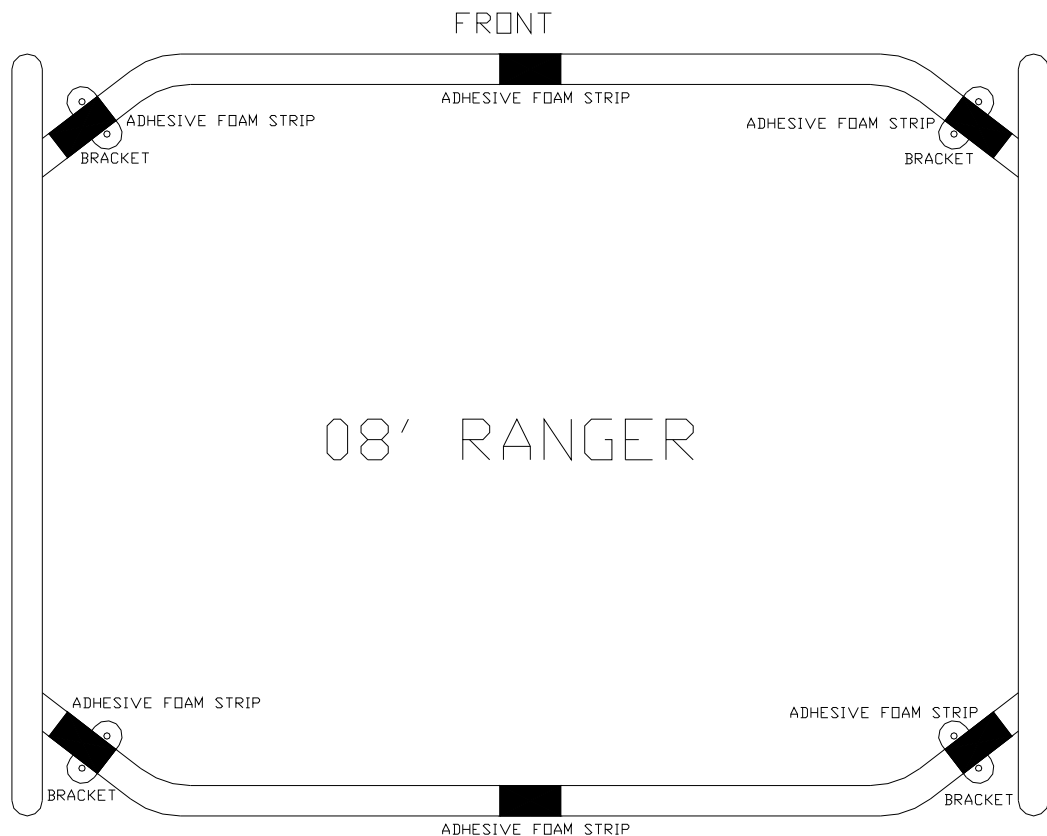


Figure 1A

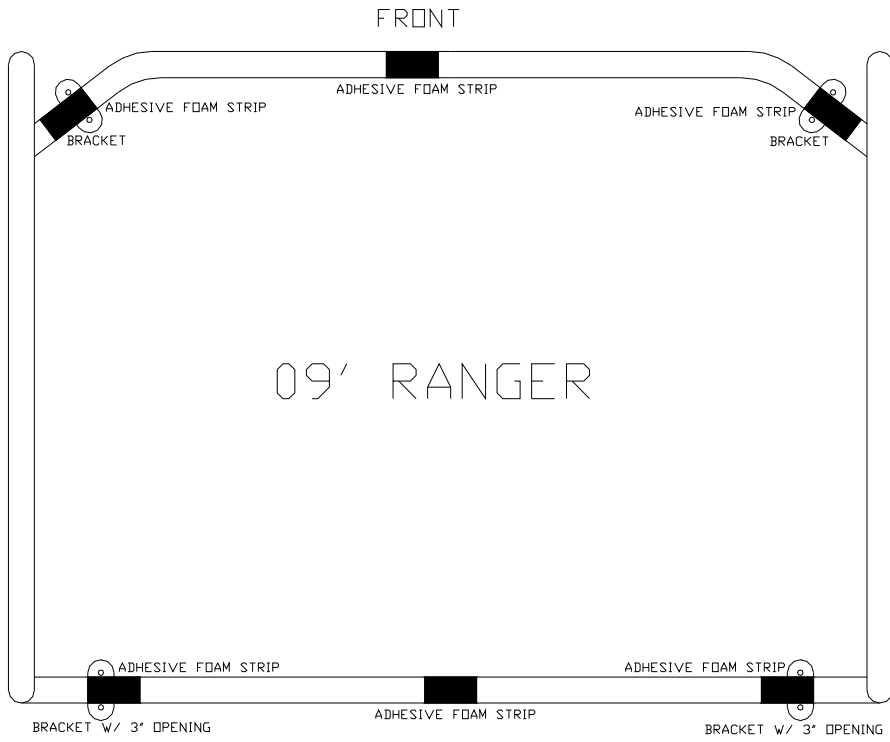


Figure 1B

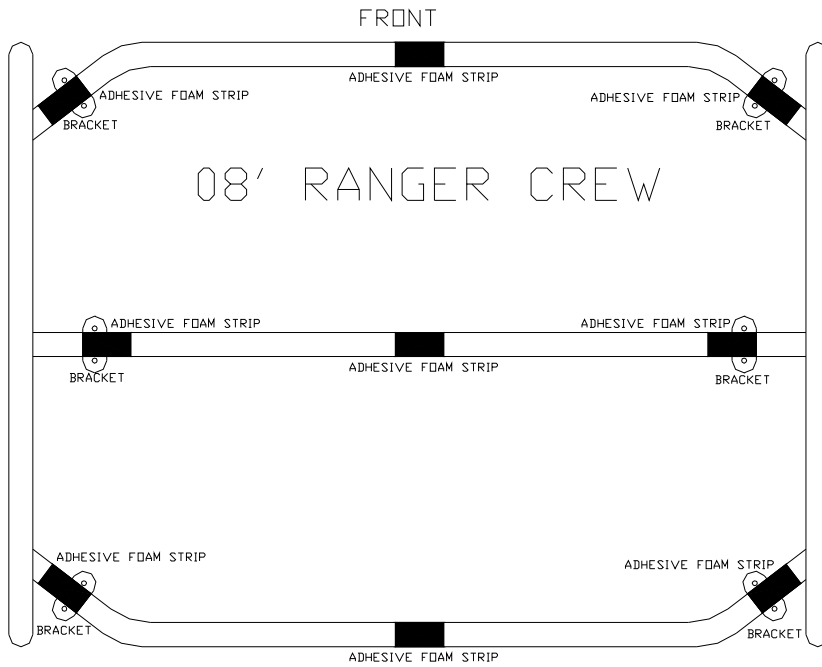


Figure 1C

3. Next, remove the roof from the roll cage and using a drill with 1/4" bit, drill holes using the marks as a guide.
4. Cut (6 or 9) 3" strips of adhesive foam and apply to roof in between holes to prevent roof rattling once mounted. Foam should run in the direction of the roll cage as shown in Figures 1A and 1B above.
5. Next, reposition the roof on the roll cage according to step 1.
6. Prior to attaching the roof mount brackets, cut the remaining adhesive foam in half and apply one section to the roof in the center of the roof where roof and each roll cage bar meet as shown in Figures 1A, 1B, and 1C above. If additional tape is required to prevent rattling it can be purchased from any hardware store as window sealant foam tape.
7. Next, attach the roof mount brackets according to **Figure 2**. Use channel locks or pliers to hold top of carriage bolt and turn nut with 1/2" socket.

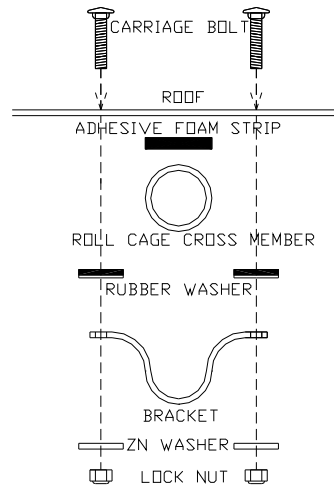


Figure 2

Warranty

DiamondBack Automotive Accessories Incorporated Limited Warranty

This LIMITED WARRANTY, made by DiamondBack Automotive Accessories Incorporated, is issued to the original retail purchaser of any DiamondBack Automotive Accessories Inc. product.

DiamondBack Automotive Accessories Inc. hereby warrants that our products will be without defect in material or manufacture for a period of (3) years after the original retail purchase date. This warranty covers gas springs, locks and locking mechanisms, weather seal, trim, and cleats. DiamondBack Automotive Accessories warrants all powder coated covers to be without defect in adhesion for a period of (3) years following the retail purchase of the cover. This warranty does not apply to ATV packages or coatings damaged by abrasion due to loading or unloading materials on the cover.

Diamondback Automotive Accessories, Inc. hereby warrants that our products will be without structural and manufacturing defects for a period of (3) years following the original retail purchase. This (3) year warranty covers only the structural components and does not include any parts or materials used in the workings of the cover. This warranty does not apply if structural damage is caused by over-loading the cover beyond either the load capacity specified by DiamondBack Truck Accessories, or the load capacity of the truck with which the DiamondBack product is used.

If the purchaser discovers that a DiamondBack Automotive Accessories Inc. product is defective in material or manufacture within the period of (3) years of purchase or is structurally defective in manufacture within a period of (3) years, that person shall contact DiamondBack Automotive Accessories, Inc. and a representative of the company will inspect the product. If a material or manufacturing defect is determined to exist, DiamondBack Automotive Accessories, Inc. shall exercise its option to either repair or replace the defective part(s).

This Warranty shall be considered void if the product is shown to have been abnormally used, misused, improperly maintained, or altered in any way by anyone other than an authorized DiamondBack Automotive Accessories, Inc. dealer or manufacturer. This warranty does not cover damaged material or structure due to accident or misuse of the DiamondBack product.

This Warranty is the only warranty applicable to the purchase of a DiamondBack Automotive Accessories, Inc. product. DiamondBack Automotive Accessories, Inc. hereby disclaims any and all other warranties, express or implied, including the implied warranty of fitness for a specific use. Diamondback Automotive Accessories, Inc. is not liable for any damages incurred, whether incidental or consequential, due to a breach of this Warranty. The terms of this Warranty shall not be changed in any way, by any person or party. This Warranty guarantees you certain rights. Other rights may vary from state to state.

Warranty Registration

(Want an easier way? Register your warranty online at www.diamondbackcovers.com/owners)

Promotional Code: _____ (Please fill in if your purchase was associated with a mail-in-rebate)

Name: _____ Email Address: _____

Address: _____ City: _____ State: _____ Zip: _____

Products Purchased

UTV Cover (Serial Number under center panel) _____

UTV Roof

Other _____

Date Purchased _____ Purchased From _____

How was your dealer experience? Excellent Satisfactory Poor Other: _____

How did first hear about DiamondBack? Please complete section below.

Website (be specific): _____

Truck Sighting: _____

Print Ad (be specific): _____

Dealer (be specific): _____

Show Appearance (be specific): _____

Other: _____

Referral/Friend: _____

Please give us your comments:

Installation: _____

Use and function of products: _____

Additional Comments: _____

Please Mail to: DiamondBack Truck Covers, ATTN: Warranty Registration, 200 Shady Lane, Philipsburg, PA 16866

Or Fax to: 814-343-4856